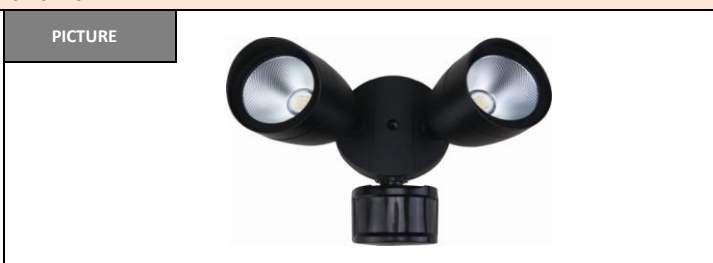


Version	2.0	Date	5/14/20
Prepared By	JC		

**PRODUCT SPECIFICATION**

<b>Category</b>	Security Double Head Light
<b>Item Number</b>	7030
<b>Stock Code</b>	LED-FXBFD20/830/BK-SEN
<b>Mounting</b>	Wall
<b>Housing Color</b>	Black



ELECTRICAL CHARACTERISTICS			
Rated Wattage (W)	20	Replacement Wattage (W)	180
Tested Wattage (W)	20		
Input Voltage (V)	120V	Surge Protect Level	-
Voltage Frequency (Hz)	50/60	Dimmable	-
Input Current (A)	0.2	AUX (12V) Line	-
Power Factor	>0.9	Photocell	Included
THD	<20%		

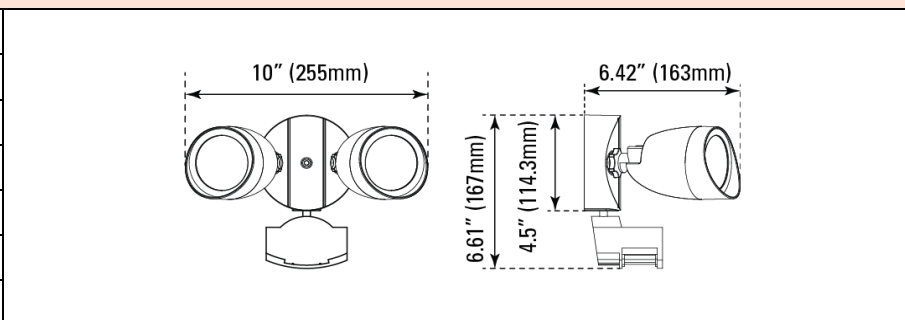
PHOTOMETRIC CHARACTERISTICS			
Lumen (lm)	1,400	CCT (K)	3000K
Efficacy (lm/w)	-	Beam Angle (°)	70°
CRI	>80		

GENERAL CHARACTERISTICS	
Operating Temperature (°F)	-4°F ~ 104°
Storage Temperature (°F)	-4°F ~ 122°
IP Rating	Wet Location
IK Rating	-
Rated Life (Hrs)	50,000
Warranty (Yrs)	5

ACCESSORIES		
Item #	Stock Code	Description

**PRODUCT DIMENSIONS**

Width- in / (mm)	10" / 255
Height- in / (mm)	6.61" / 167
Depth- in / (mm)	6.42" / 163
EPA (ft²)	-
Weight (lbs)	2.43
Mounting Height (ft)	-
Cable Length (ft)	-



CERTIFICATIONS			
UL/ETL	UL/cUL	CEC	
NSF/ETL Sanitation		JA8	
Energy Star	✓	FCC	✓
DLC		RoHs	✓

DOCUMENTS			
LM79	✓	IES File	✓
LM80	✓	Dimmer List	

**COMMENTS**

Motion Sensor Included